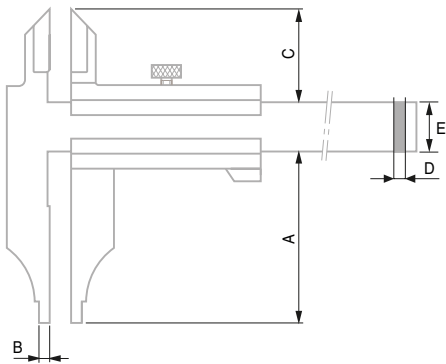


Workshop vernier models

with rounded internal measuring faces
and knife-edge external jaws



ISO 13385-1:2019



Hardened stainless steel



Satin-chrome
scale background



Main scale slightly set
back for protection
against wear



Locking screw
of the slider

Part number	Measuring range		Resolution		Fine adjustment	A	B	C	D	E
	[mm]	[in]	[mm]	[in]						
00510701	200		0,02		–	60	5	30	3,5	17
00510801	200		0,02		●	60	5	30	3,5	17
00510702	200		0,05		–	60	5	30	3,5	17
00510802	200		0,05		●	60	5	30	3,5	17
00530702	200	8	0,05	1/128	–	60	5	30	3,5	17
00530802	200	8	0,05	1/128	●	60	5	30	3,5	17
00510721	300		0,02		–	90	5	38	4	20
00510821	300		0,02		●	90	5	38	4	20
00510722	300		0,05		–	90	5	38	4	20
00510822	300		0,05		●	90	5	38	4	20
00530722	300	12	0,05	1/128	–	90	5	38	4	20
00530822	300	12	0,05	1/128	●	90	5	38	4	20
00510741	500		0,02		–	150	10	60	6	28
00510841	500		0,02		●	150	10	60	6	28
00510742	500		0,05		–	150	10	60	6	28
00510842	500		0,05		●	150	10	60	6	28
00530742	500	20	0,05	1/128	–	150	10	60	6	28
00530842	500	20	0,05	1/128	●	150	10	60	6	28