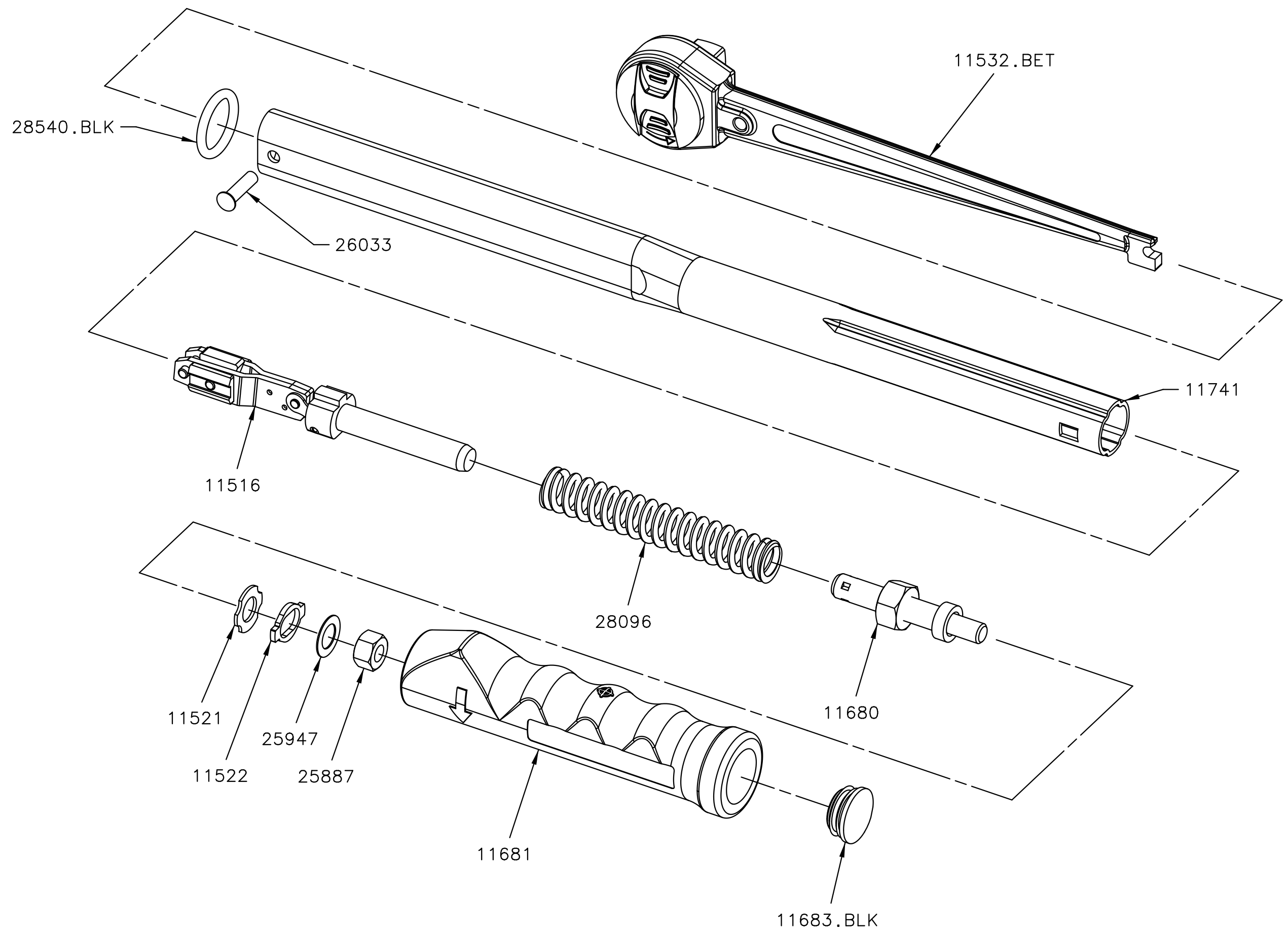
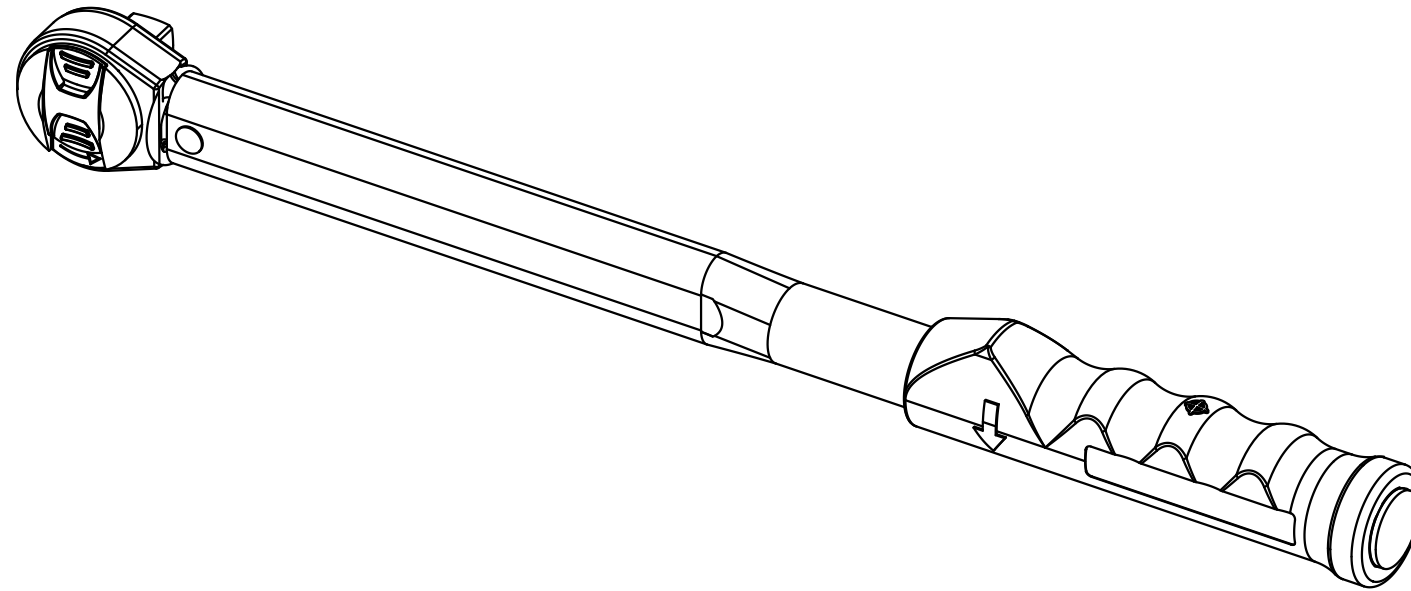


11140 - TW MDL 200 'P' TYPE 1/2" SQ.DR.



11140 - TW MDL 200 'P' TYPE 1/2" SQ.DR.



11516	1	TRANSVERSE LINK ASSY PROFESSIONAL
11521	1	SHAPED WASHER
11522	1	END STOP
11532.BET	1	MDL200 1/2 SQ.DR
11680	1	ADJUSTING NUT AND SCREW P TYPE THREADED END
11681	1	HANDLE P TYPE PRESS ON
11682	1	SOCKET 13mm AF FOR P TYPE PROFESSIONAL ADJUSTING
11683.BLK	1	END CAP DOMED P TYPE PROF BLACK
11741	1	MDL200 BODY TUBE
25887	1	HEX.NUT.M8 H.TEN.
25947	1	WASHER .39/.395 x .65 x .018 REF SR 126J
26033	1	PIVOT PIN TES 3487
28096	1	COMP. SPRING FOR TW MACHANISM
28540.BLK	1	O RING BLACK VITON BS208
Part No	Qty	Description