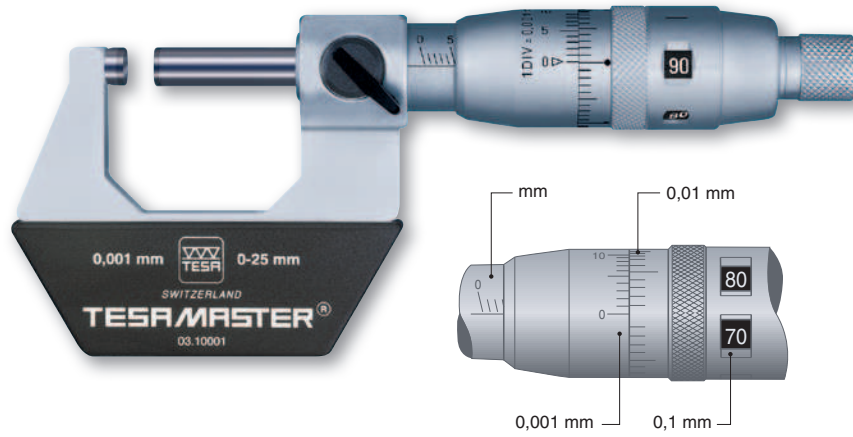


TESAMASTER High Precision Micrometers with Digital Counter Reading to 0,1 mm

Analogue indication of full millimetres, hundredths and fractions of hundredths. Accurate, parallax-free reading on the vernier down to 0,001 mm.

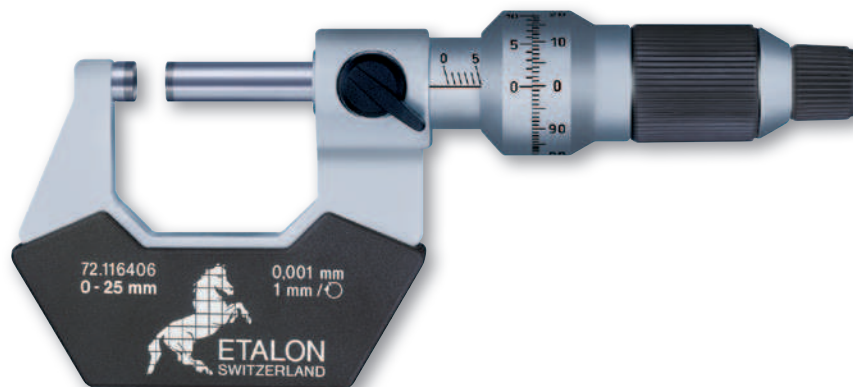


No			
	mm	µm	µm
00310001	0 ÷ 25	2	1
00310002	25 ÷ 50	2	1,5
00310003	50 ÷ 75	3	1,5
00310004	75 ÷ 100	3	1,5
00310005	100 ÷ 125	4	2
00310006	125 ÷ 150	4	2,5
00310007	150 ÷ 175	5	3
00310008	175 ÷ 200	5	3

- DIN 863 T1
NFE 11-095
- Scale
division: 0,1 mm
or 0.005 in
- Tungsten carbide
- Measuring range
0 to 100 mm
with inspection
report and decla-
ration of conformity
- Measuring range
> 100 mm with
a declaration of
conformity
- 0,5 mm
- Max. 10 N
- ≤ 100 mm: Ø 6,5 mm
> 100 mm: Ø 8 mm
- Vernier reading
to 0,001 mm
or 0.0001 in

ETALON MICRORAPID 226 with 1 mm Revolution

High precision micrometers – Fast, accurate reading – No reading error of the millimetre fractions – Barrel with scale to 1 mm – Thimble with 100 graduations and vernier reading to 0,001 mm.



No			
	mm	µm	µm
072116406	0 ÷ 25	2	1
072116407	25 ÷ 50	2	1,5
072116408	50 ÷ 75	3	1,5
072116409	75 ÷ 100	3	1,5

- DIN 863 T1
NFE 11-095
- Tungsten carbide
tipped
- Inspection report
with a declaration
of conformity
- 1 mm
- Max. 10 N
- Ø 6,5 mm
- Parallax-free
vernier reading
to 0,001 mm