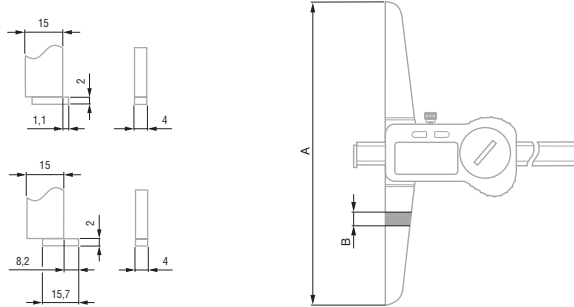
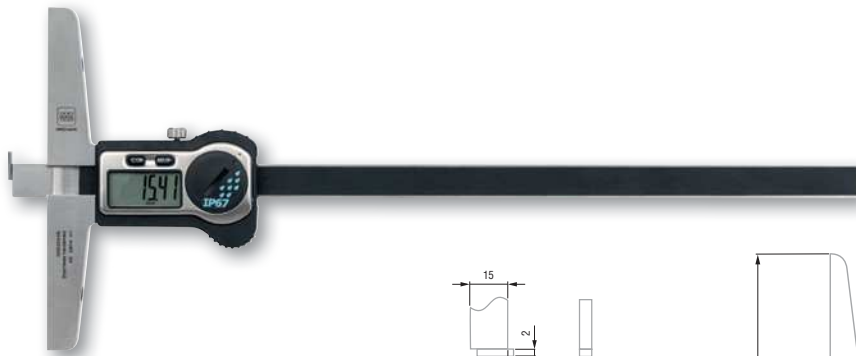


TWIN-CAL IP67 – Models with Rotary Stop Plate

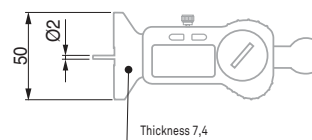


| No | mm | in | A mm | B mm |
|----------|-----|----|------|------|
| 00530448 | 250 | 10 | 150 | 8,5 |
| 00530449 | 350 | 14 | 150 | 8,5 |
| 00530450 | 500 | 20 | 150 | 8,5 |

OPTIONAL ACCESSORIES:

| | | | | |
|----------|---|--|--|--|
| 01961000 | Lithium battery, 3V, CR2032 | | | |
| 04760180 | TESA TLC-TWIN wireless emitter-receiver Compatible with any instrument fitted with a TLC – TESA Link Connector | | | |
| 04760181 | TESA TLC-USB cable for instruments with a TLC connector | | | |
| 04760182 | TLC-DIGIMATIC cable for instruments with a TLC connector | | | |
| 00560103 | Removable bridge 200 mm | | | |
| 00560104 | Removable bridge 300 mm | | | |
| 00560105 | Removable bridge 400 mm | | | |

TWIN-CAL IP67 – Small Sized Model with Steel Measuring Tip



| No | mm | in |
|----------|----|----|
| 00530451 | 25 | 1 |

OPTIONAL ACCESSORIES:

| | | |
|----------|---|--|
| 01961000 | Lithium battery, 3V, CR2032 | |
| 04760180 | TESA TLC-TWIN wireless emitter-receiver Compatible with any instrument fitted with a TLC – TESA Link Connector | |
| 04760181 | TESA TLC-USB cable for instruments with a TLC connector | |
| 04760182 | TLC-DIGIMATIC cable for instruments with a TLC connector | |

- ISO 13385-1
- 0,01 mm / 0,0005 in
- LCD, 11 mm
- Fixed zero
- Metric / in conversion
- L ≤ 100 mm: 30 µm
100 < L ≤ 600 mm: 40 µm
600 < L ≤ 1000 mm: 50 µm
- 10 µm
- Scale with incremental divisions, inductive
- 2,5 m/s
- TLC Connectivity
- Stainless steel
- 3V lithium battery, CR2032
- 12.000 hours
- Standby mode after 10 minutes, instrument retains the zero position. Automatic shut off after 2 hours, instrument retains the zero in ABS mode, but the zero must be reset if the instrument is in DIFF mode.
- 1907/2006/CE
2004/108/CE
2002/96/CE
- Inspection report with declaration of conformity