

Vernier depth models with rotary stop plate

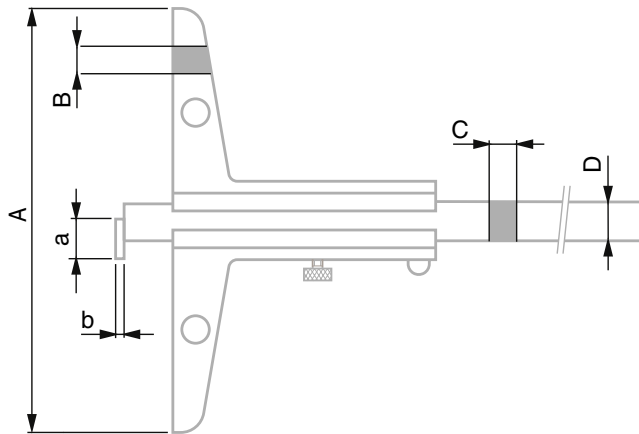
- INSTRUMENT
 - Perfect operation of the slider for a silky-smooth operation
 - Main scale slightly set back for protection against wear
- MEASUREMENT
 - Satin-chrome scale and vernier for good reading



00510294

Standard	ISO 13385-2:2019
Maximum permissible errors	L = length in mm For 0,02 resolution: $0 < L \leq 100: \pm 30 \mu\text{m}$ $100 < L \leq 300: \pm 40 \mu\text{m}$ $300 < L \leq 500: \pm 50 \mu\text{m}$ For resolution 0,05: $0 < L \leq 500: \pm 50 \mu\text{m}$
Material	Hardened stainless steel
Particular characteristic(s)	Locking screw
Included in delivery	Measuring report Declaration of conformity

Depth calipers



Part number	Measuring range mm	Resolution mm	A mm	B mm	C mm	D mm	a mm	b mm
00510291	150	0,02	150	8,5	4	12	5,3	2
00510292	150	0,05	150	8,5	4	12	5,3	2
00510293	250	0,02	150	8,5	4	12	5,3	2
00510294	250	0,05	150	8,5	4	12	5,3	2
00510295	500	0,02	150	8,5	4	12	5,3	2
00510296	500	0,05	150	8,5	4	12	5,3	2

Accessories

Part number	Designation
0051610365	Magnetic magnifying glass, 3 x magnification
00560108	Removable bridge, 180 mm
00560109	Removable bridge, 260 mm
00560110	Removable bridge, 320 mm