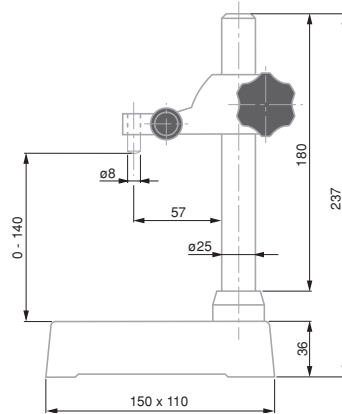


INTERAPID UA 1 Table Measuring Support with Ground Table Surface

Basic model without fine adjustment



Measuring table: cast iron. Column: chrome-plated steel, Arm: spheroidal graphite cast iron.

A Measuring surface of table: ground. Column: Can be dismantled. Measuring arm with $\varnothing 8$ mm clamp.

3 kg

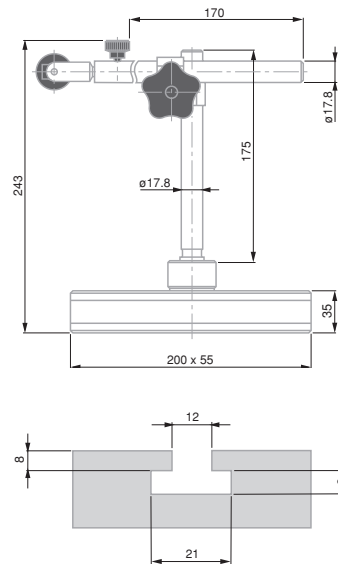
Supplied without measuring instrument

01639008	INTERAPID UA 1 measuring support with table	0 ÷ 140	100 x 100

INTERAPID UD12 Support

Medium sized mobile measuring support for use with ever type dial test indicators, dial gauges, precision indicators, electronic probes etc.

With fine adjustment mechanism.



Cast iron base

A Stand with lateral guiding faces. T-slot for vertical column. 2 rigid articulations

3.3 kg

Supplied without measuring instrument

01639000	UD 12 universal support		
COMPOSÉ DE:			
01840105	Tige de fixation à queue d'aronde $\varnothing 8$ mm		
01640100	UDZ 3 Mounting rod and UDZ3 clamp $\varnothing 8$ mm clamp for UD 12		