



-  Switchable magnet. Clamp with $\varnothing 8$ mm clamping bore
-  Supplied without measuring instrument

INTERAPID Inclinable Magnetic Support

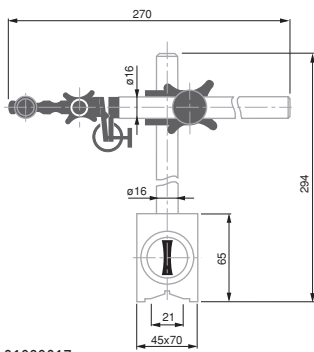
Standard model and models with strong holding force



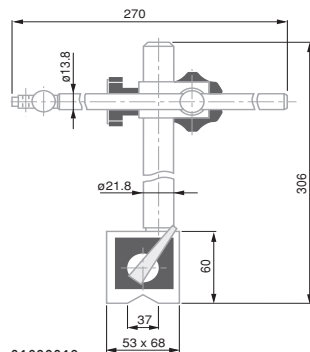
01639017



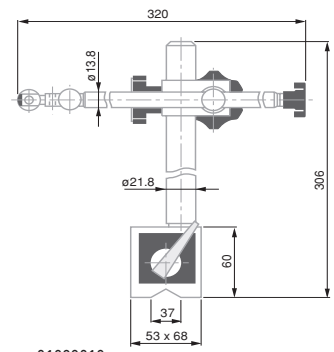
01639019









01639017



01639018



01639019

		 N	 V-Base for \varnothing , mm		 Fine adjust
01639017	INTERAPID magnetic support with V-base, 600 N	≈ 600	70 ÷ 220	Standard Version	●
01639018	INTERAPID magnetic support with V-base, 1000 N	≈ 1000	70 ÷ 220	Strong magnetic holding force	—
01639019	INTERAPID magnetic support with V-base, 1000 N	≈ 1000	70 ÷ 220	Strong magnetic holding force	●

