

Measuring table and column in hardened steel.

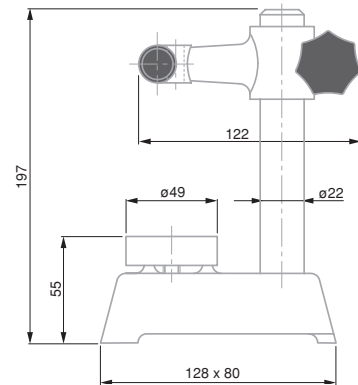
**A** Measuring arm with  $\varnothing 8$  mm clamping bore, without fine adjustment. Measuring span: 48 mm.

2,7 kg

Supplied without measuring instrument

## INTERAPID Small Measuring Support and Table $\varnothing 49$ mm

Round steel measuring table



Application example with DIGICO indicator

**No**

**=**

01639006 INTERAPID small support with  $\varnothing 49$  mm measuring table

0 ÷ 100

49

Cast iron base

**A** Base with front support face. Clamp for  $\varnothing 8$  mm mounting rod or dial gauge with lug back. Model No 01639003 also with dovetail clamp.

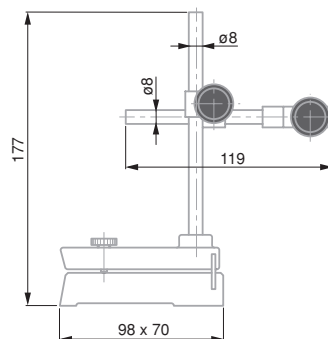
1,3 kg (01639003)  
4,35 kg (01639004)

Supplied without measuring instrument

## INTERAPID Measuring Support with Inclined Frontal Arm



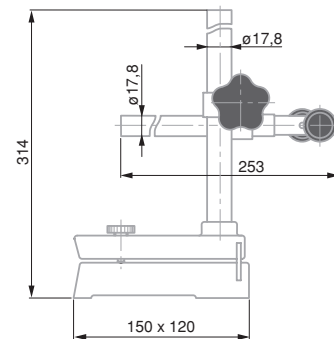
01639003



01939003



01639004



01939004

**No**

**=**

01639003 INTERAPID Measuring Support with Inclined Frontal Arm H = 177 mm

01639004 INTERAPID Measuring Support with Inclined Frontal Arm H = 314 mm

Used in conjunction with:

Lever dial test indicators, small dial gauges

Lever dial test indicators, small dial gauges, precision indicators, probes etc.

