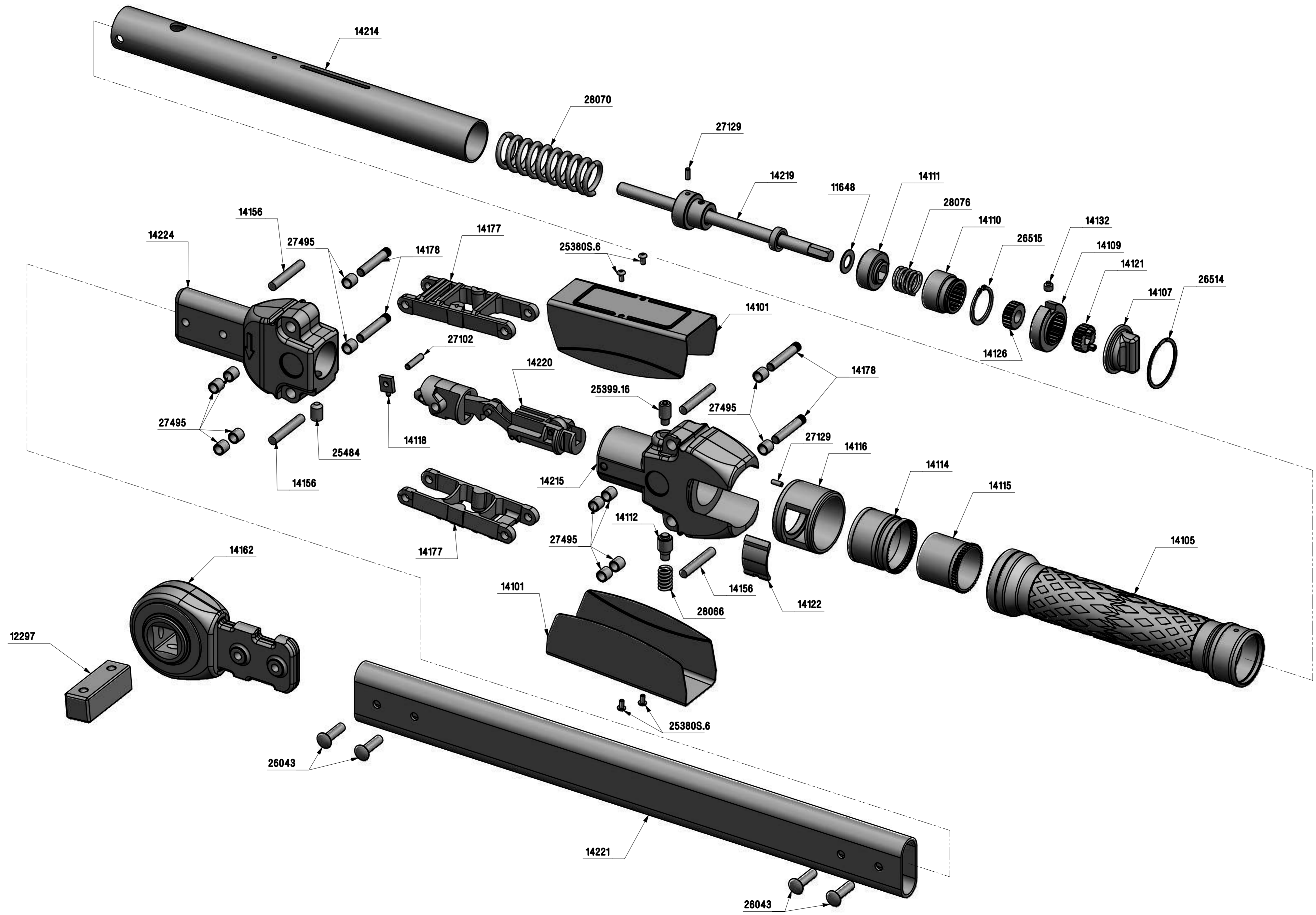
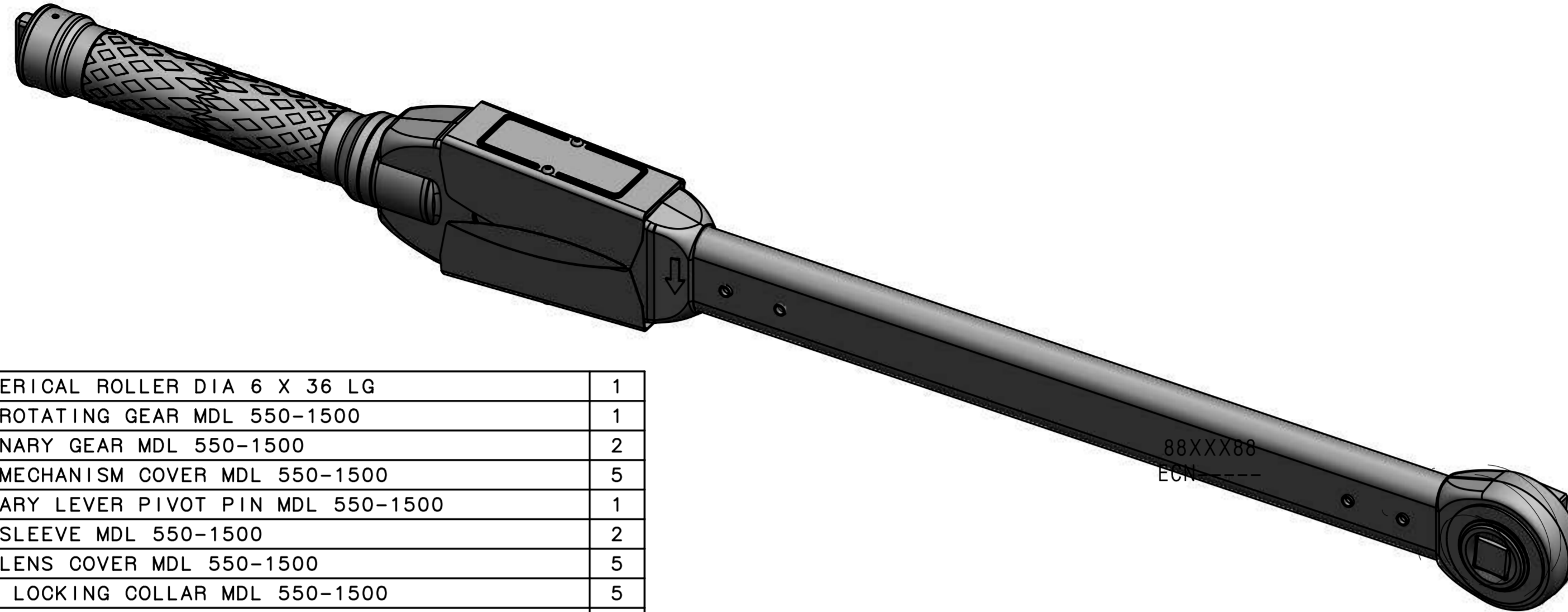


14037 - TW MDL 650 ADJ 3/4SQ Nm/lbf.ft





27138	1	CYLINDRICAL ROLLER DIA 6 X 36 LG	1
14114	1	SCALE ROTATING GEAR MDL 550-1500	1
14115	1	STATIONARY GEAR MDL 550-1500	2
14116	1	SCALE MECHANISM COVER MDL 550-1500	5
14118	1	SECONDARY LEVER PIVOT PIN MDL 550-1500	1
14121	1	DRIVE SLEEVE MDL 550-1500	2
14122	1	SCALE LENS COVER MDL 550-1500	5
14126	1	HANDLE LOCKING COLLAR MDL 550-1500	5
14132	1	LOCKING PIN STD MDL 550-1500	1
27495	12	DU BUSH 6 I/D x 8 LONG MB0608DU	1
26514	1	CRCLP 34.1DIA SPIRAL RET RING	1
26515	1	CRCLP 24MM DIA EXT. TO DIN 471	1
14221	1	BODY TUBE MDL 650	1
25399.16	1	SSS M8x16LG HALF DOG POINT	1
25484	1	PIVOT SCREW	2
12297	1	SQ DR ASSY 3/4 IRH 4507 50-140	3
28066	1	SPRG/COMP 9.6 O/D x 14.5 LG	1
28070	1	COMP.SPRING 250D.x75LGx3.30WD	2
28076	1	HANDLE LOCKING SPRING	1
14215	1	REAR SUPPORT BLOCK MDL 550-1500 [Mk2]	5
26043	4	RIVET SEMI-TUBE FOR MODEL 550	1
14105	1	HANDLE SLEEVE MDL 550-1500	15
14224	1	FRONT SUPPORT BLOCK 650Nm	2
14219	1	LARGE PROF ADJ SCR SUB ASSY	1
11648	1	THRUST WASHER SLIMLINE TW_1	4
14107	1	HANDLE LOCKING KNOB MDL 550-1500	4
14109	1	HANDLE DRIVE COLLAR MDL 550-1500	5
14110	1	HANDLE ARBOR MDL 550-1500	3
14220	1	SECONDARY LEVER ASSY FOR MDL 500-1500	1
14162	1	RATCHET ASSY MDL550	8
14214	1	HANDLE TUBE FOR MDL 550-1500 [Mk2]	1
14178	4	PIVOT PIN UPRATED	1
27129	2	NEEDLE ROLLER DIA 3.0 x 7.8	1
14177	2	LINK FRAME MDL 550-1500 UPRATED VERSION	6
14101	2	SADDLE PLATE MDL 550-1500	4
25380S.6	4	BUT.HD M3 x 6 STAINLESS WITH TUFLOCK TO ISO 7380	2
14111	1	LOCK NUT MDL 550-1500	3
14112	1	DAMPING PISTON MDL 550-1500	4
14156	4	SEAL 6MM DIA x 36LG NEO. CORD MDL 550-1500	1
27102	1	NEEDLE ROLLER 4 DIA X 17.8	1
Part No	Qty	Description	Rev