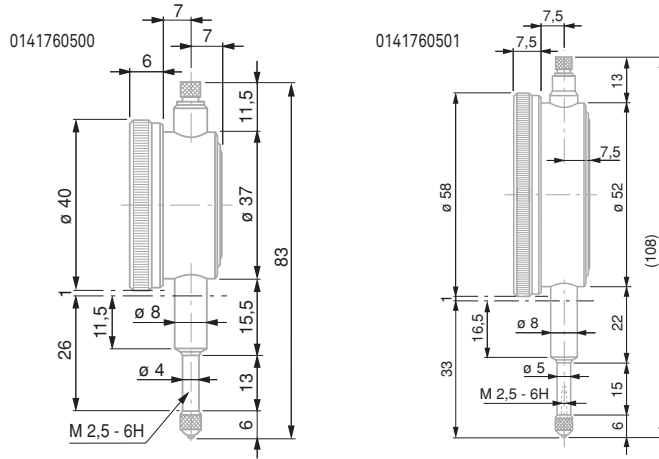


STANDARD DIAL GAUGES

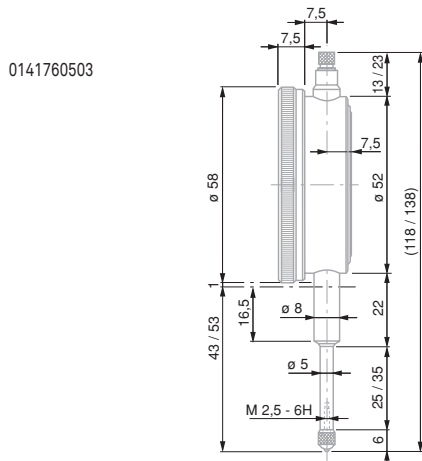
The Standard product line offers a range of heavy duty and competitively priced dial gauges.

Dial Ø 40 / 58 – Reading 0,1 mm

Precision dial gauges



0141760500
0141760501



0141760503



- EN ISO 463
Factory standard
- Rotating dial
- Full-metal casing.
Mounting shank and
plunger in hardened
stainless steel
- Without anti-shock
mechanism
- Thread M2,5 for
measuring insert
- Measuring insert
with 3,175 mm
Ø ball tip already
mounted

	mm	mm	mm	mm			N	
0141760500	10	10,5	0,1	10	0 ÷ 5 ÷ 10	-	≤ 1,0	40
0141760501	10	10,5	0,1	10	0 ÷ 5 ÷ 10	-	≤ 1,0	58
0141760503	30	30,5	0,1	10	0 ÷ 5 ÷ 10	-	≤ 1,5	58

Permissible limits of a metrological characteristic (MPE/MPL)

	0,1 mm
Deviation span	40 µm
Deviation span within partial measuring span of 0.1 mm	25 µm
Total deviation error	55 µm
Repeatability limit	15 µm
Max. hysteresis	15 µm