

N DIN 32876
Part 1

Bolt Nickel-plated housing. Stainless steel measuring bolt, hardened. Viton sealing bellows = highly resistant fluoroelastomer

A Fixing shank Ø 8 mm. Measuring bolt guided on ball-bearing. Distance from electrical zero of both stops is either adjustable (downward) or depending on the position of the lower stop (upward). Interchangeable inserts. M2,5 thread. Carbide ball tip Ø 3 mm. 2 m long cable. 5-pin DIN 45322 connector.

Frequency Supply frequency: 13 kHz (± 5 %) Max. mechanical frequency** 60 Hz.

Temperature 0,09 µm/°C

Accuracy 20 ± 0,5°C

Protection Protection level: IP65 (IEC 60529),

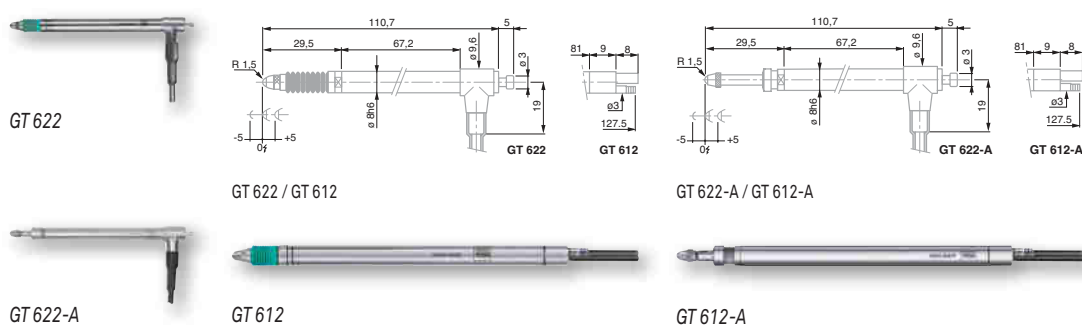
Weight Mobile weight: 8 g

Compliance Inspection report with a declaration of conformity

Pneumatic Probes ± 5 mm, 10,3 mm Bolt Travel, Long Travel

These probes are designed for use with measuring fixtures and machines with integrated automatic or semi-automatic measuring routines.

- Probes with long measuring travel and low resolution of values 8 mm dia. fixing shank.
- Suitable for multi-gauging inspection fixtures.
- Protection level IP65 ou IP50 as per IEC 60529.
- Wide range of accessories including measuring inserts, etc.
- LVDT probes compatible with measuring equipment from other suppliers available on request.



| NO | = | Measuring range, mm | Measuring force, nominal*, N | Bolt retraction | Sealing bellows | Nominal/Maximal pressure, bar |
|----------|----------|---------------------|------------------------------|--|-----------------|-------------------------------|
| 03230062 | GT 612 | ± 5 | 2,0 | Pressure (bolt activation), spring (bolt retraction) | Viton | 1,1 / max 1,5 |
| 03230055 | GT 622 | ± 5 | 2,0 | Pressure (bolt activation), spring (bolt retraction) | Viton | 1,1 / max 1,5 |
| 03230070 | GT 612-A | ± 5 | 1,0 | Pressure (bolt activation), spring (bolt retraction) | Without bellows | 1,0 / max 6,0 |
| 03230071 | GT 622-A | ± 5 | 1,0 | Pressure (bolt activation), spring (bolt retraction) | Without bellows | 1,0 / max 6,0 |

| | = | Measuring bolt travel, mm | Max. permissible error for deviations in linearity, µm (L in mm) | Repeatability, µm | Hysteresis, µm | Cable output | Data sheet No. |
|----------|---|---------------------------|--|-------------------|----------------|--------------|----------------|
| GT 612 | | 10,3 | 1 + 4 · L (BPX: 0,6 + 0,8 · L) | 0,05 | 0,05 | Axial | 03200415 |
| GT 622 | | 10,3 | 1 + 4 · L (BPX: 0,6 + 0,8 · L) | 0,05 | 0,05 | Radial | 03200394 |
| GT 612-A | | 10,3 | 1 + 4 · L (BPX: 0,6 + 0,8 · L) | 0,05 | 0,05 | Axial | 03200433 |
| GT 622-A | | 10,3 | 1 + 4 · L (BPX: 0,6 + 0,8 · L) | 0,05 | 0,05 | Radial | 03200434 |

* Electrical zero (N) ± 25 % deviation limit. Valid in vertical mounting position, measuring bolt lowered and in static measuring.

** For an amplitude of 10 % to the last value of the measuring range.

